

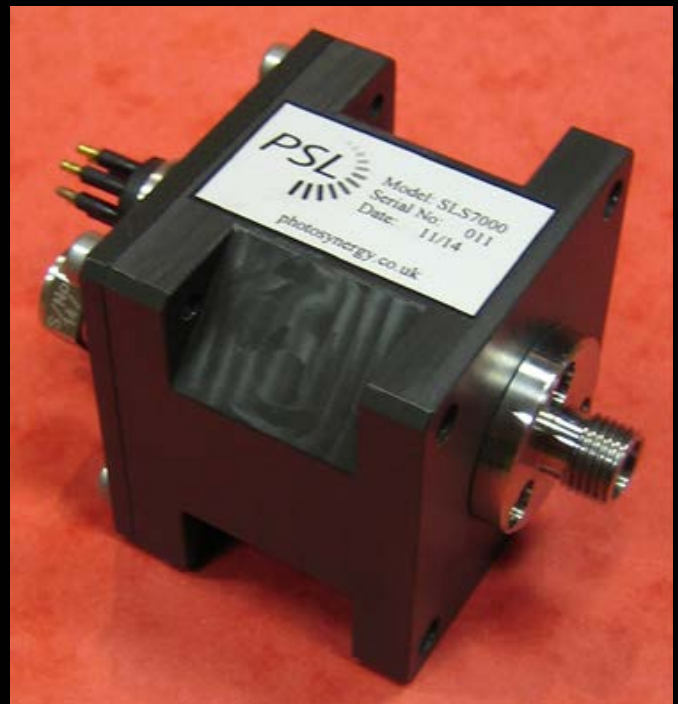
LIGHTPATH®

SLS7000

Subsea Lighting System



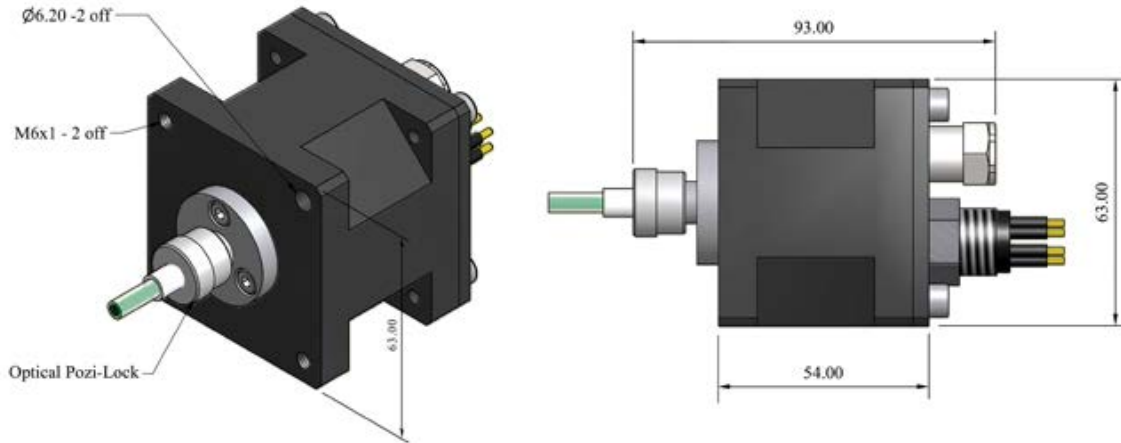
- The **LIGHTPATH®** SLS7000 unit was designed by PhotoSynergy Ltd (PSL) primarily to provide ROV support in deep water and on the seabed
- The SLS7000 can operate in depths of up to 3,000m and was developed to address a variety of deep water applications brought to PSL's attention by subsea industry operators, including supporting work-class ROVs
- It is a single LED source available in green, blue or white
- Applications include lighting spool pipes (different colour either end to help orientation), manifold identification and seabed mat delineation such as Deschamps Mobi Mat
- The unit can be configured to operate in flash mode which will significantly extend operational time when powered from a subsea battery by reducing the power drawn to ~1.5W



LIGHTPATH[®]

SLS7000

Subsea Lighting System



Technical Specification	Type SLS7000
Mechanical construction	Hard anodised al alloy 6082-T6
Dimensions	93x63x63mm
Weight in air	540g
Weight in water	350g
Electrical connection	MCBH-5-MP
Mating connector	MCIL-5-FS
Power requirement	24V dc @ 0.3A (12V dc @ 0.6A)
Power consumption	7W max (1.5W average in flash mode)
Colour options	Green, Blue, White
Optical coupling	Optical Pozi Lock (fibre quick connect)
Operating modes	Continuous or Flash
Optical window	Sapphire
Pressure vent	Helium relief valve
Depth rating	3000m (300 bar)
Operating temperature	0°C to 40°C

PhotoSynergy Ltd reserves the right to change the above specification without notice.

Updated 25/01/22

Pin out on the wet-mate connector

Pin 1	0 Volt
Pin 2	n/c
Pin 3	24 Volts
Pin 4	n/c
Pin 5	n/c



MCBH-5-MP connector

